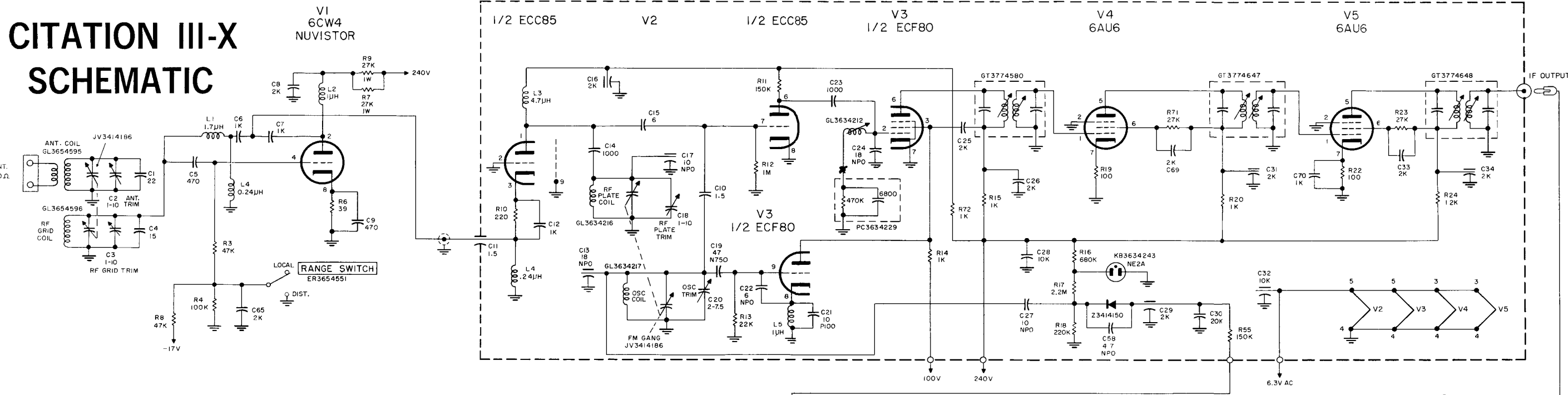


CITATION III-X SCHEMATIC



LINE VOLTAGE - 117 VAC (READINGS TAKEN WITH VACUUM TUBE VOLTMETER WITH 11 MEG. INPUT IMPEDANCE). READINGS TAKEN WITH ANTENNA DISCONNECTED, VOLUME - MAXIMUM CLOCKWISE POSITION, SQUELCH & AFC SWITCHES - OFF, RANGE SWITCH - DISTANCE, TUNING - SET AT 90 MC.

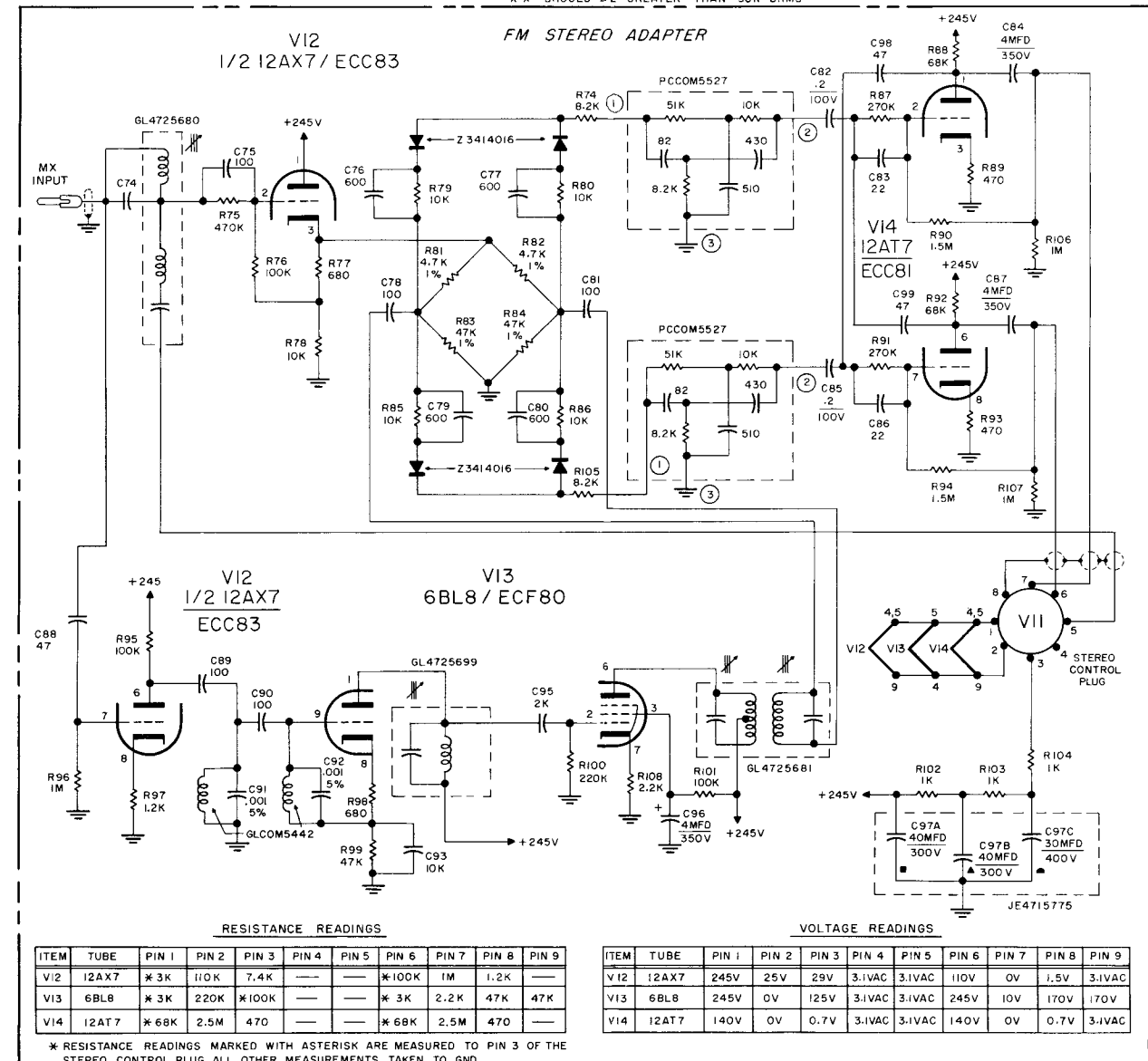
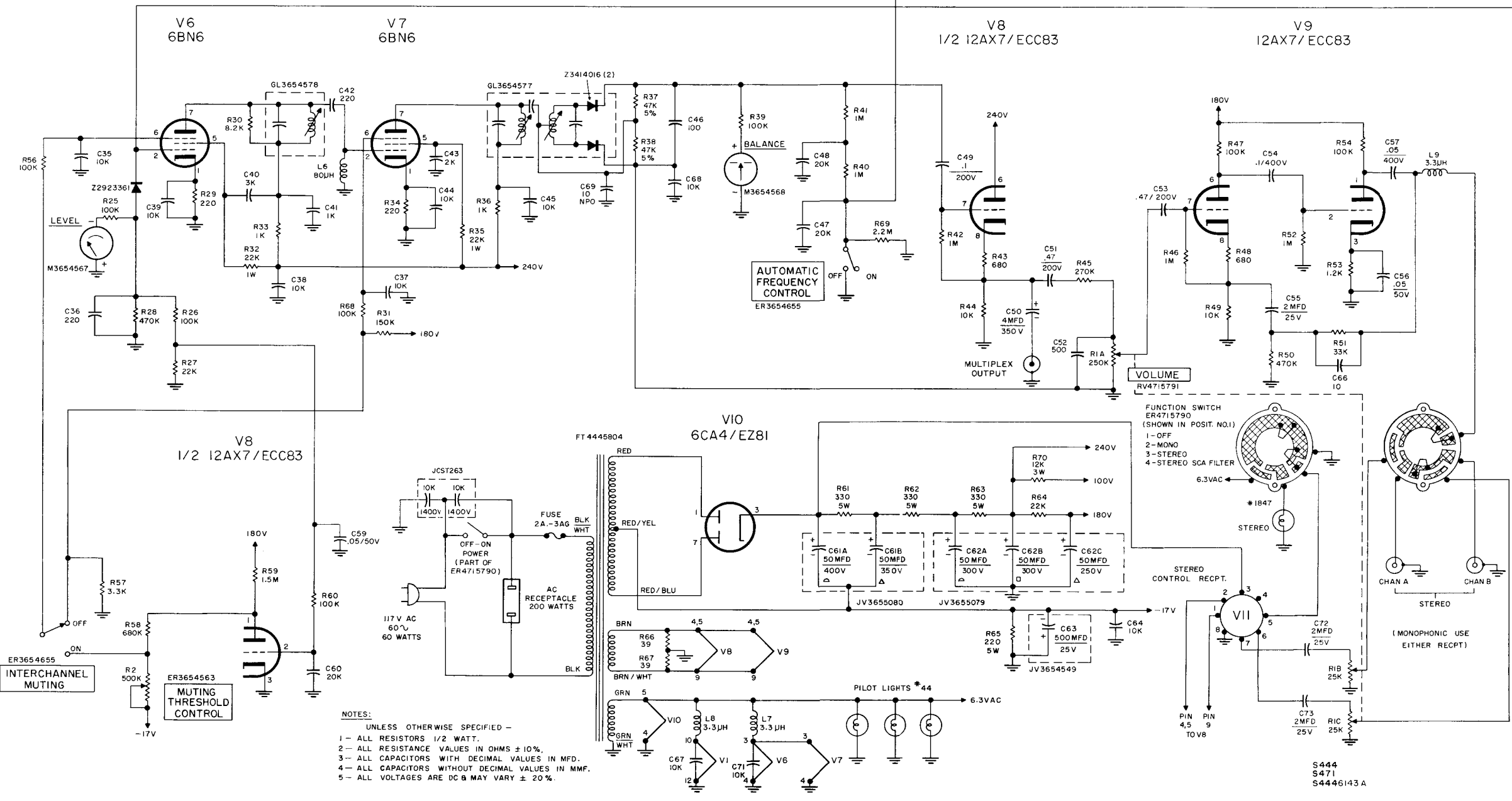
ITEM	TUBE	PIN 1	PIN 2	PIN 3	PIN 4	PIN 5	PIN 6	PIN 7	PIN 8	PIN 9	PIN 10	PIN 11	PIN 12
V1	6CW4	—	88V	—	0V	—	—	—	0.4V	—	6.1VAC	—	0V
V2	ECC85	240V	0V	2.2V	6.3AC	55V	4.7V	0V	0V	—	—	—	—
V3	ECC85	95V	0.7V	95V	0V	6.3AC	230V	0V	0V	4.25V	—	—	—
V4	6AU6	0V	0V	6.3AC	0V	230V	145V	1.2V	—	—	—	—	—
V5	6AU6	0V	0V	6.3AC	0V	150V	100V	.8V	—	—	—	—	—
V6	6BN6	1.9V	0V	6.1VAC	0V	90V	2.7V	240V	—	—	—	—	—
V7	6BN6	1.9V	0V	6.1VAC	0V	90V	2.7V	240V	—	—	—	—	—
V8	12AX7	20V	-0.6V	0V	3.1VAC	3.1VAC	240V	11V	20V	3.1VAC	—	—	—
V9	12AX7	120V	0V	0.8V	3.1VAC	3.1VAC	110V	5.6V	8.5V	3.1VAC	—	—	—
V10	6CA4	280AC	—	325V	0V	6.3VAC	—	280AC	—	—	—	—	—

READINGS MAY VARY ± 20%.
ALL VOLTAGES ARE DC UNLESS OTHERWISE NOTED.
* VOLTAGE READINGS MARKED WITH ASTERISK SHOULD BE TAKEN WITH 11 MEG. RESISTOR IN SERIES WITH METER PROBE.

RESISTANCE READINGS
CAUTION - DISCONNECT AC LINE AND COMPLETELY DISCHARGE FILTER CAPACITORS BEFORE TAKING READINGS. CONTROLS ARE SET IN SAME POSITIONS AS STATED IN VOLTAGE READINGS.

ITEM	TUBE	PIN 1	PIN 2	PIN 3	PIN 4	PIN 5	PIN 6	PIN 7	PIN 8	PIN 9	PIN 10	PIN 11	PIN 12
V1	6CW4	—	*14K	47K	—	—	—	—	39Ω	—	—	—	—
V2	ECC85	*1K	0	220Ω	—	—	*150K	1M	—	—	—	—	—
V3	ECC85	*14K	470K	*14K	—	—	*2K	0	0.1Ω	22K	—	—	—
V4	6AU6	0.5Ω	0	—	*2K	*29K	100Ω	—	—	—	—	—	—
V5	6AU6	0.5Ω	0	—	*13K	*39K	100Ω	—	—	—	—	—	—
V6	6BN6	220Ω	0.6Ω	—	*23K	103K	*2K	—	—	—	—	—	—
V7	6BN6	220Ω	1.5Ω	—	*23K	103K	*2K	—	—	—	—	—	—
V8	12AX7	*450K	22K	0	—	*1K	1M	10.7K	—	—	—	—	—
V9	12AX7	*100K	1M	1.2K	—	*100K	1M	10.7K	—	—	—	—	—
V10	6CA4	300Ω	—	**	—	—	—	300Ω	—	—	—	—	—

READINGS MAY VARY ± 20%.
ALL RESISTANCE READINGS TAKEN TO GROUND EXCEPT THOSE MARKED WITH ASTERISK (*).
* RESISTANCE READINGS MARKED WITH ASTERISK ARE MEASURED TO PIN 3 OF 6CA4.
** SHOULD BE GREATER THAN 50K OHMS



NOTES:
UNLESS OTHERWISE SPECIFIED -
1 - ALL RESISTORS 1/2 WATT.
2 - ALL RESISTANCE VALUES IN OHMS ± 10%.
3 - ALL CAPACITORS WITH DECIMAL VALUES IN MFD.
4 - ALL CAPACITORS WITHOUT DECIMAL VALUES IN MMF.
5 - ALL VOLTAGES ARE DC & MAY VARY ± 20%.

RESISTANCE READINGS

ITEM	TUBE	PIN 1	PIN 2	PIN 3	PIN 4	PIN 5	PIN 6	PIN 7	PIN 8	PIN 9
V12	12AX7	*3K	10K	7.4K	—	—	*100K	1M	1.2K	—
V13	6BL8	*3K	220K	*100K	—	—	*3K	2.2K	47K	47K
V14	12AT7	*68K	2.5M	470	—	—	*68K	2.5M	470	—

* RESISTANCE READINGS MARKED WITH ASTERISK ARE MEASURED TO PIN 3 OF THE STEREO CONTROL PLUG, ALL OTHER MEASUREMENTS TAKEN TO GND.

VOLTAGE READINGS

ITEM	TUBE	PIN 1	PIN 2	PIN 3	PIN 4	PIN 5	PIN 6	PIN 7	PIN 8	PIN 9
V12	12AX7	245V	25V	29V	3.1VAC	3.1VAC	110V	0V	1.5V	3.1VAC
V13	6BL8	245V	0V	125V	3.1VAC	3.1VAC	245V	10V	170V	170V
V14	12AT7	140V	0V	0.7V	3.1VAC	3.1VAC	140V	0V	0.7V	3.1VAC

S444
S471
S444G143A